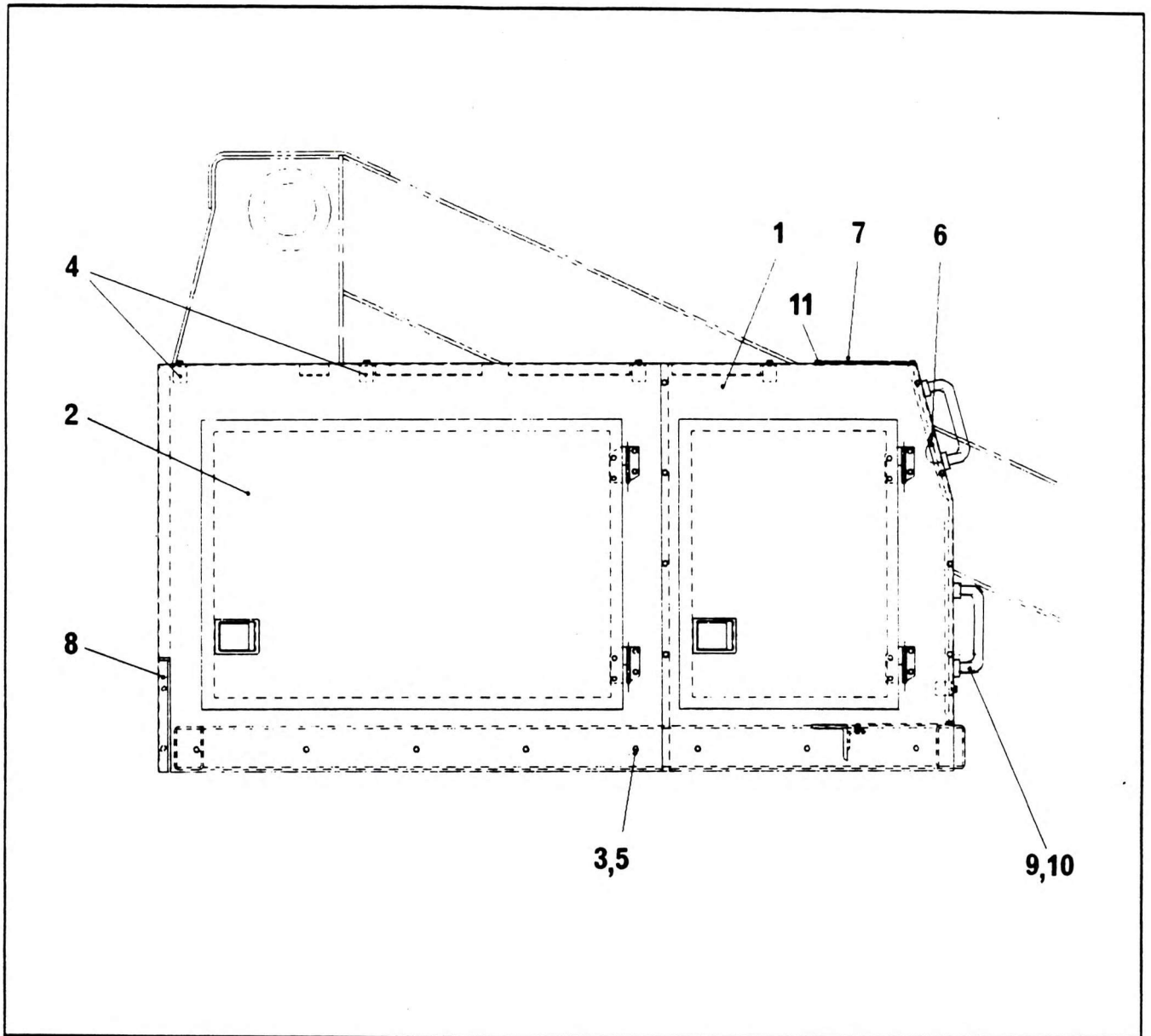


SHEET METAL INSTALL RH CUMMINS



NO.	PART NO.	QTY.	DESCRIPTION	NO.	PART NO.	QTY.	DESCRIPTION
1 +	6-535-990125	1	Front Engine Hood Assembly				
2 +	6-535-990128	1	Rear Engine Hood Assembly				
3	7-790-161253	37	Screw				
4	6-030-990265	8	Angle				
5	7-660-160002	19	Nut $\frac{3}{8}$ " UNC				
6	6-504-990072	1	Grille				
7	6-504-990078	1	Grille				
8	2-679-990068	1	Hood Back Plate				
9	8738615	2	Grab Handle				
10	7069205	4	Nut Nyloc M8				
11	7-429-990025	4	Quarter Turn Fastener				

+ See further breakdown in this group

6-258-990251  
Issue No. 00